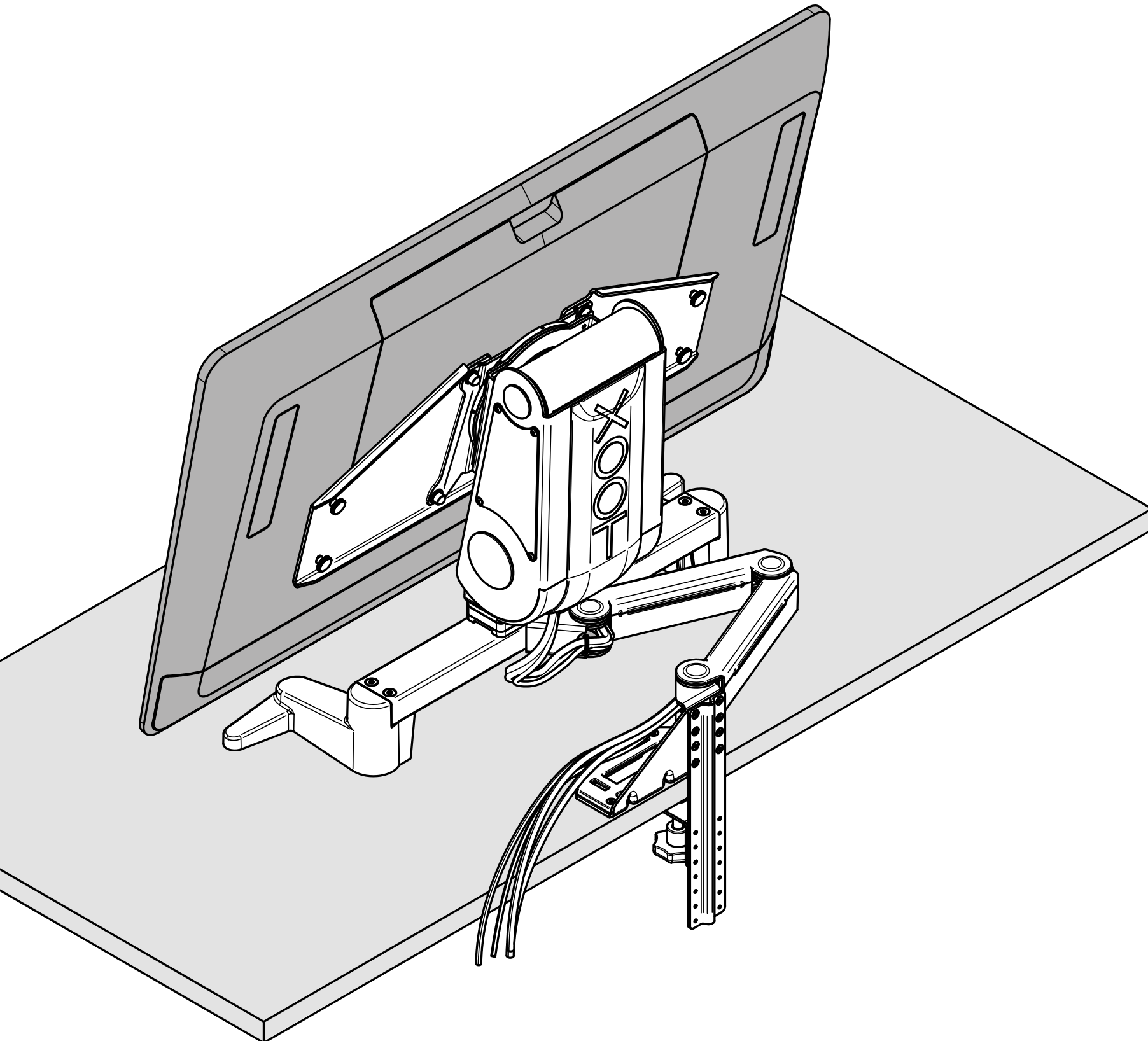


Assembly Instruction Manual

X O O T



Assembly Instruction Manual



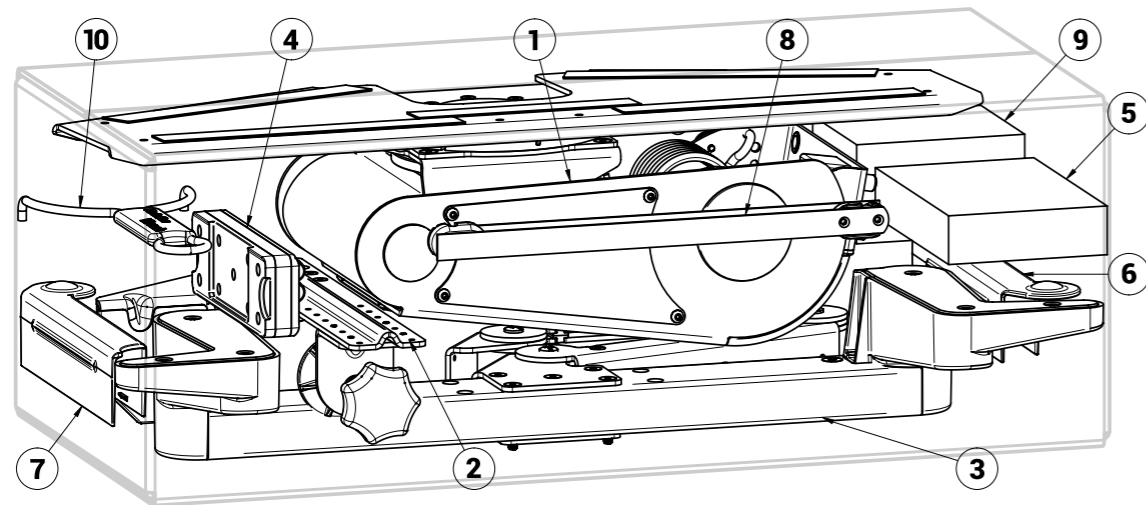
Congratulations as the new owner of a XOOT System

While this manual is a visual aid to assembling your XOOT kit, an accompanying YouTube video is available to assist you. Each section has a QR code for linking you to the relevant stage in the video.

| | Page |
|---|-----------|
| A What's in the Box | 2 |
| B Using a suitable work surface | 3 |
| C Taking the Main Arm out of the Box | 4 |
| D Assembling the Clamp | 6 |
| E Attaching the Legs to the Main Arm | 7 |
| F Attaching the Legs to the Clamp | 9 |
| G Attaching the Screen to your XOOT System | 10 |
| H Stowing cables and attaching covers to the Anti-Topple Arm | 13 |
| I Attaching the Touch Strips to your Screen | 15 |
| J Adjusting the Rotation Friction | 16 |
| K Attaching the Folding Feet to Screen <i>(Optional)</i> | 18 |
| L Attaching the screen to an MT11 Kit | 20 |
| M Attaching Pre-Stress pads to an MT11 Kit <i>(Optional)</i> | 22 |
| N Attaching Weights to your Kit <i>(Optional)</i> | 23 |
| O XOOT Kits currently available | 24 |

A What's in the Box

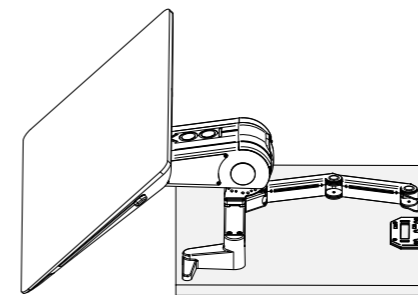
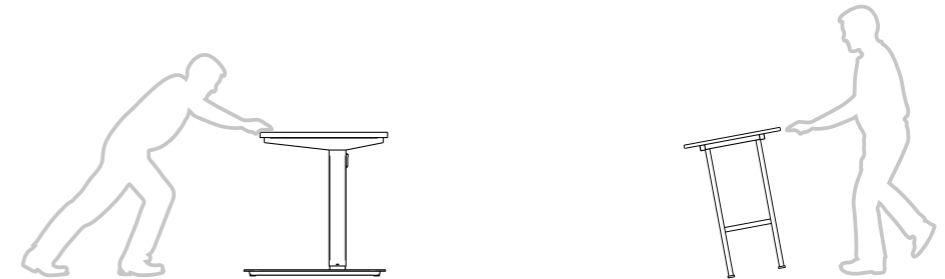
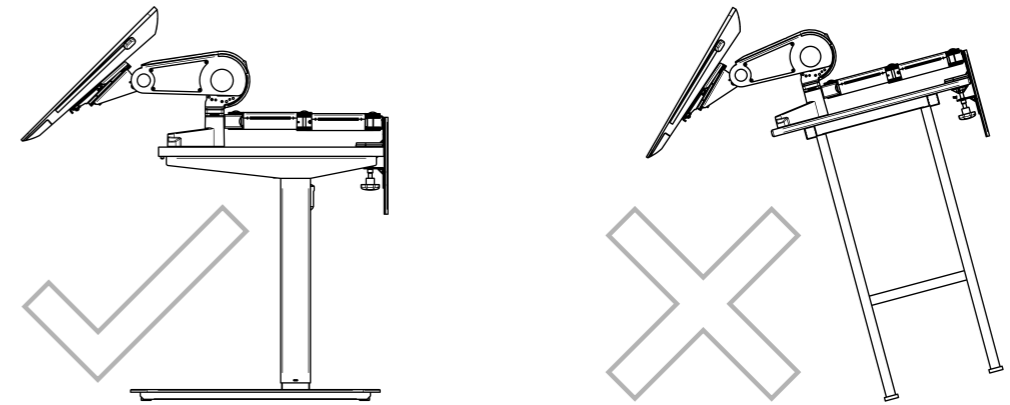
- | | |
|-------------------------|---------------------------|
| 1 XOOT Arm | 6 Front Cover |
| 2 Clamp | 7 Back Cover |
| 3 Legs | 8 Touch Strips |
| 4 Arm Spacer | 9 Power Supply |
| 5 Misc. Supplies | 10 Rotation Wrench |



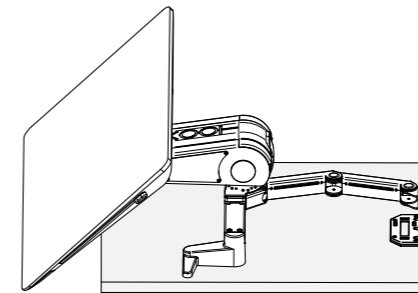
Why the box is packed this way?

Having worked on packing all of the XOOT kit types in the smallest box sizes possible, the upside of this means we use less packaging materials while lowering shipping and storage costs but on the downside, the initial set-up is a bit more complicated.

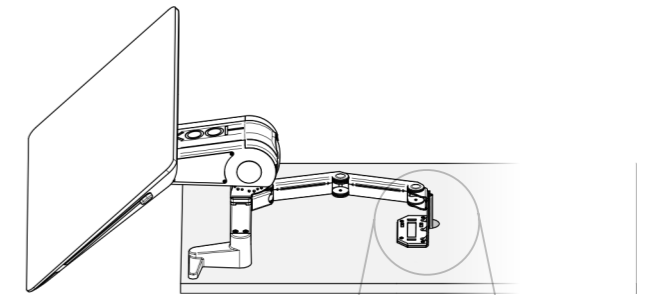
B Using a suitable work surface



Minimum depth
600mm / 23.5in



Maximum depth
820mm / 32in

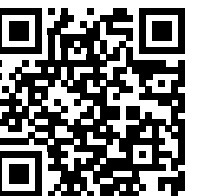
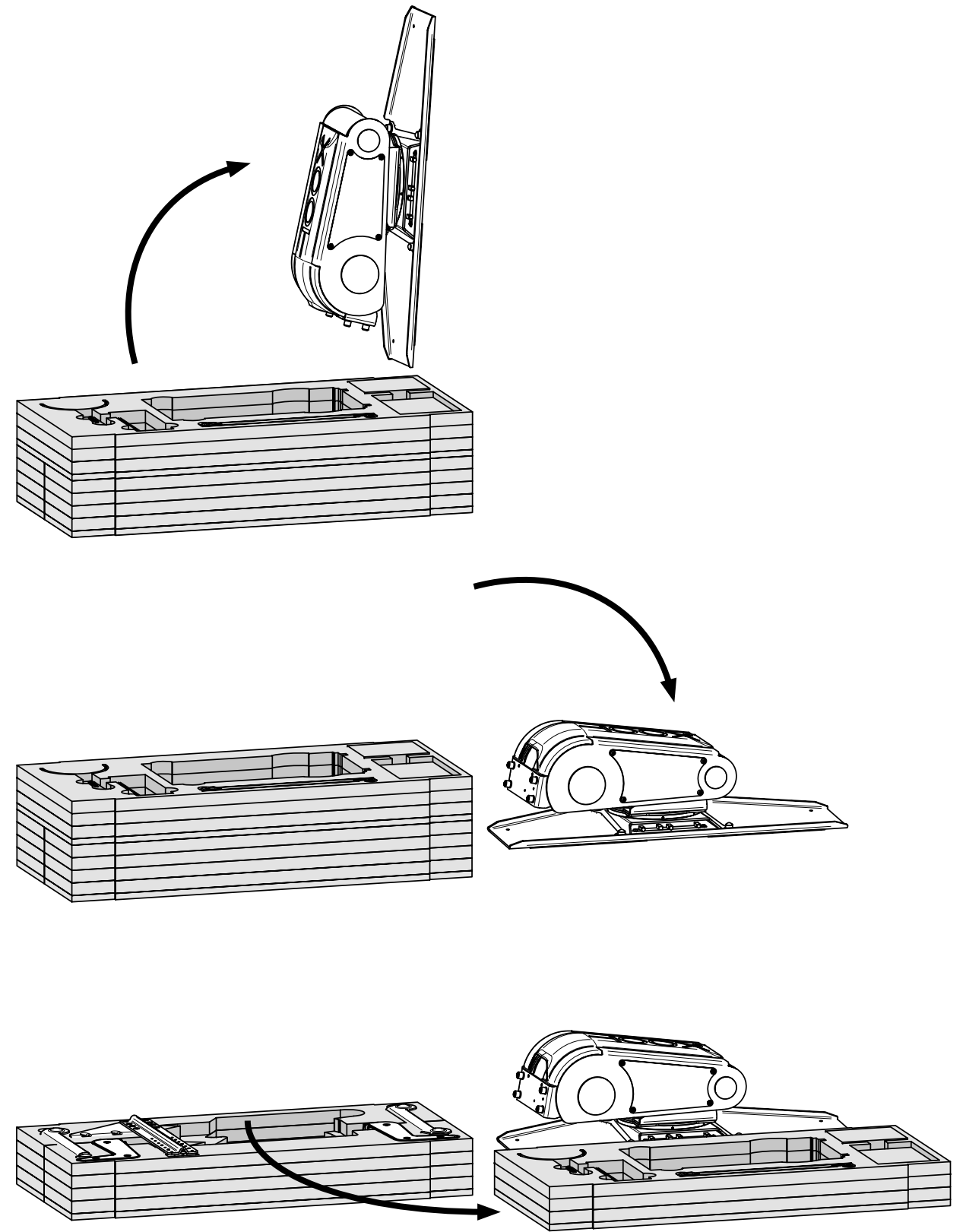
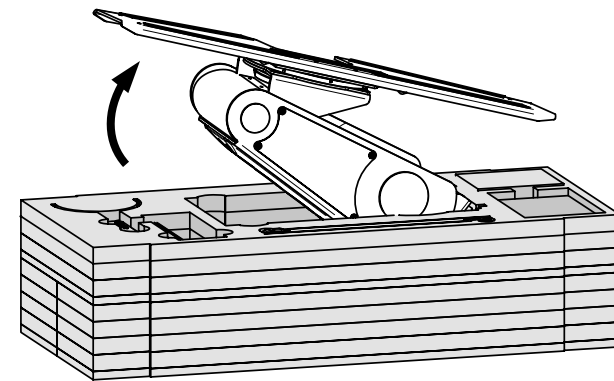
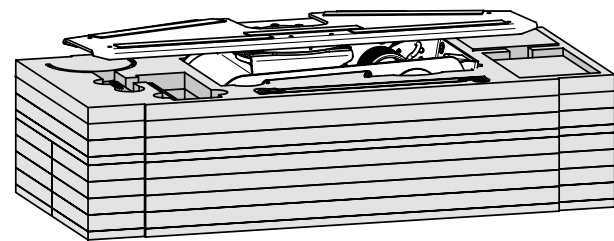
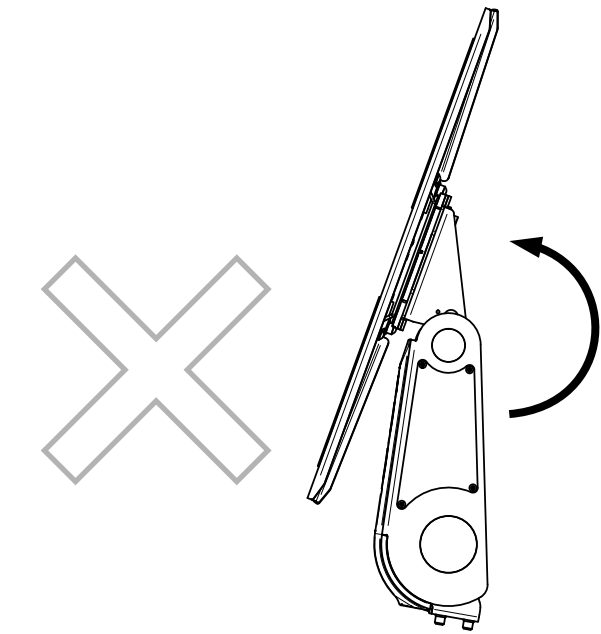


For desks with more depth

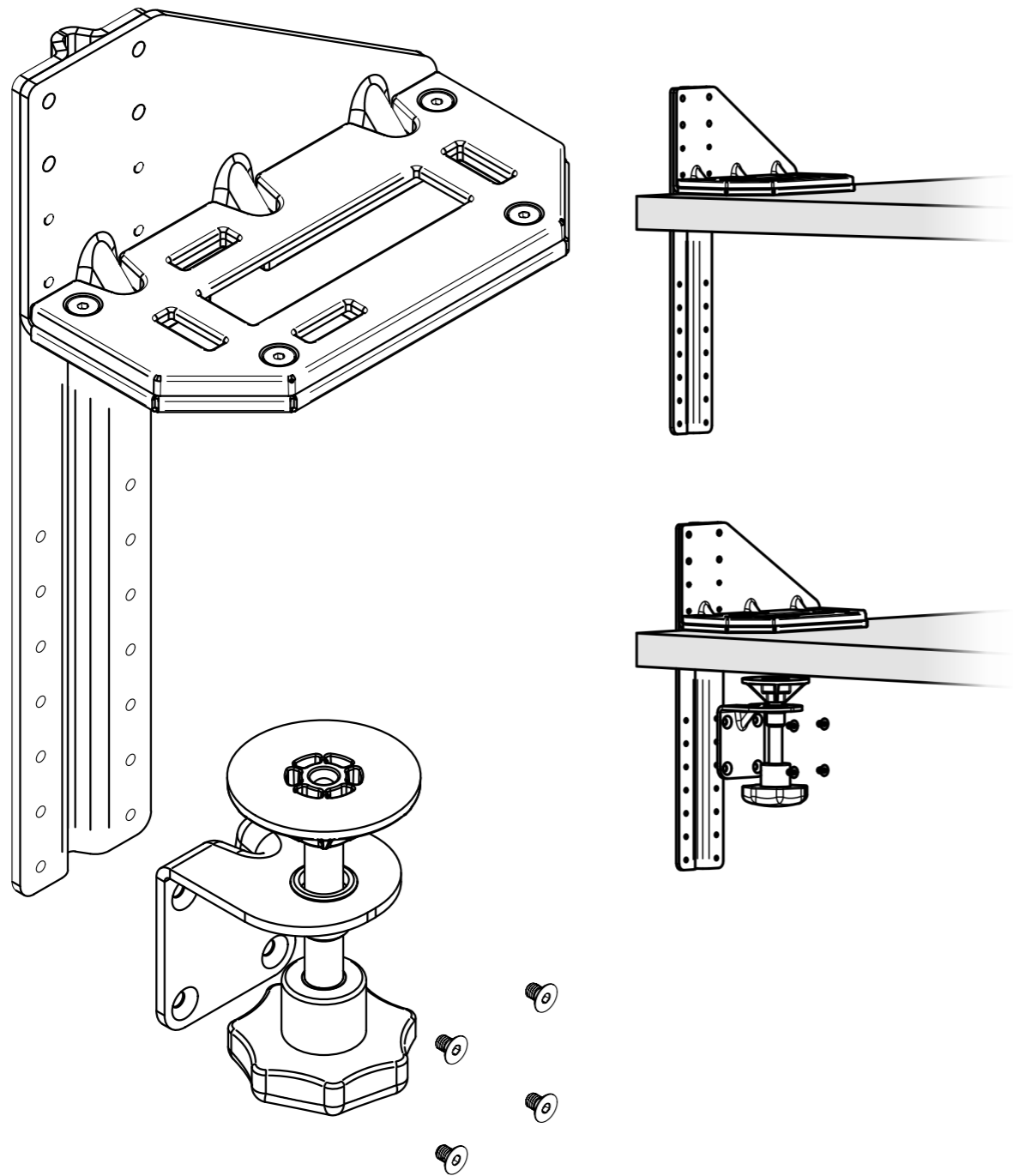
Drilling a hole will allow the clamp to fit through and be secured to the work surface. A hole with a minimum diameter of 50mm / 2.0in is required.



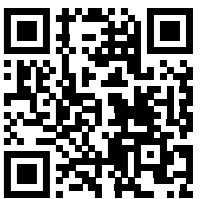
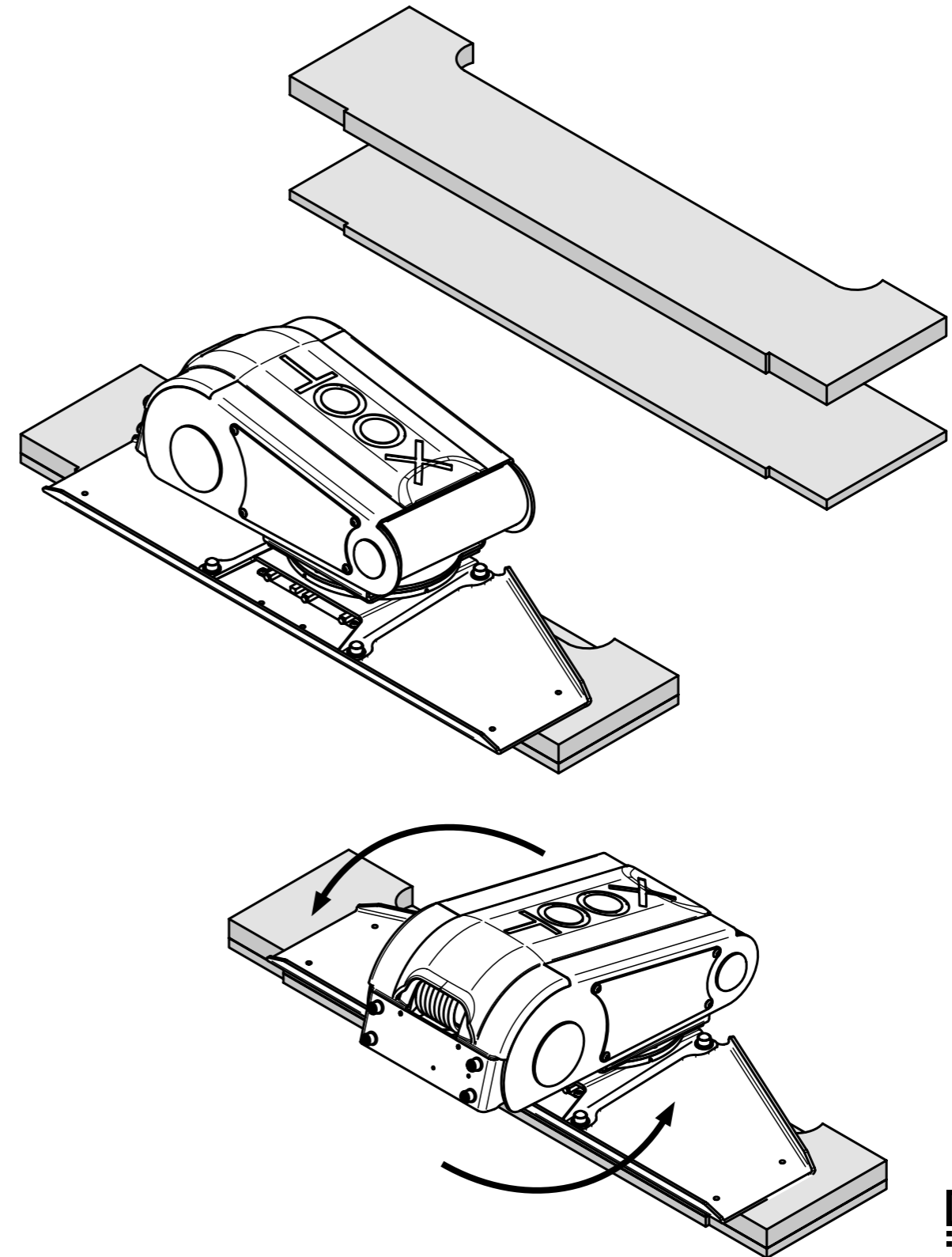
C Taking the Main Arm out of the Box



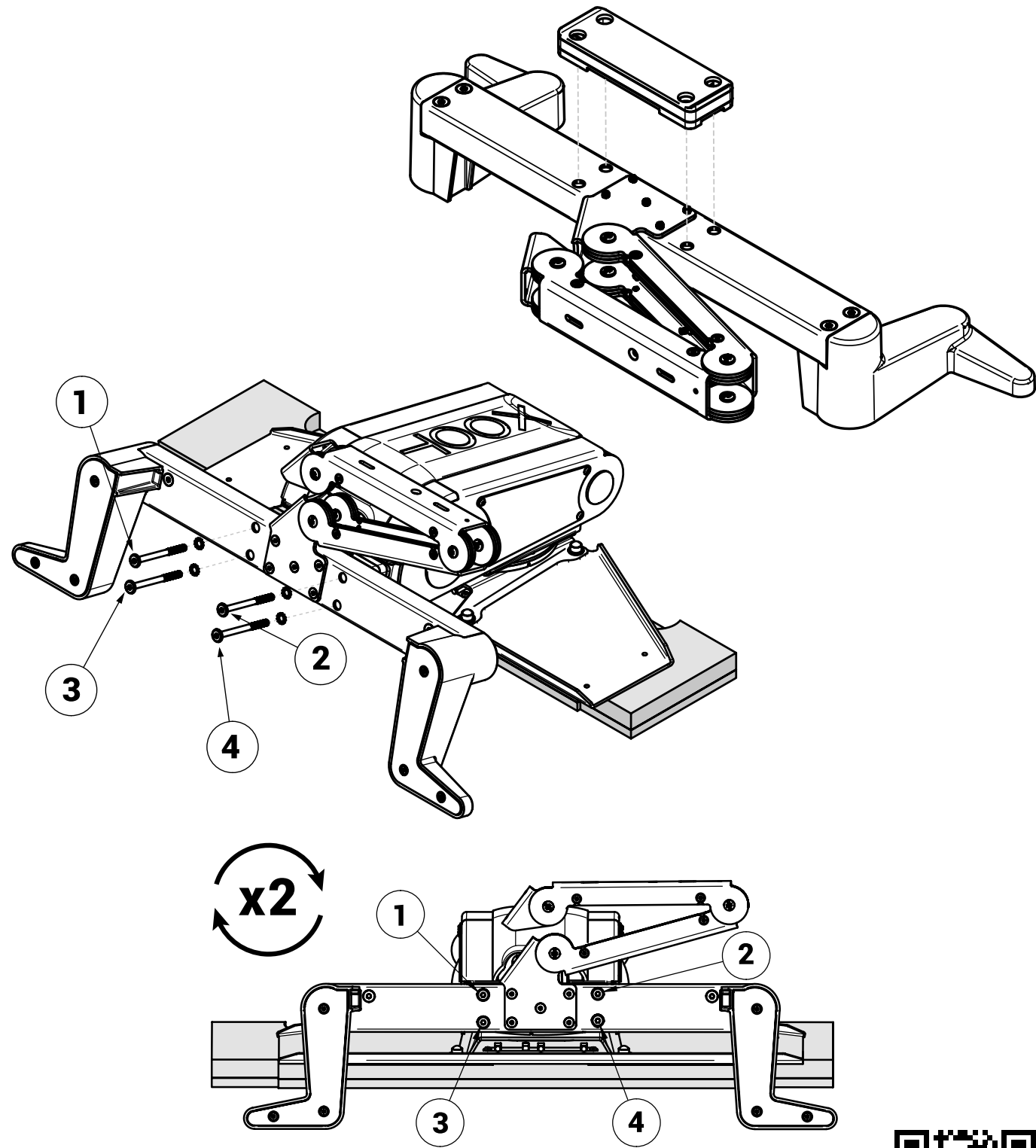
D Assembling the Clamp



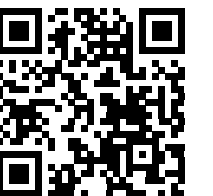
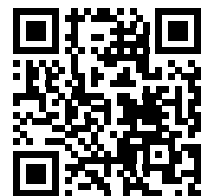
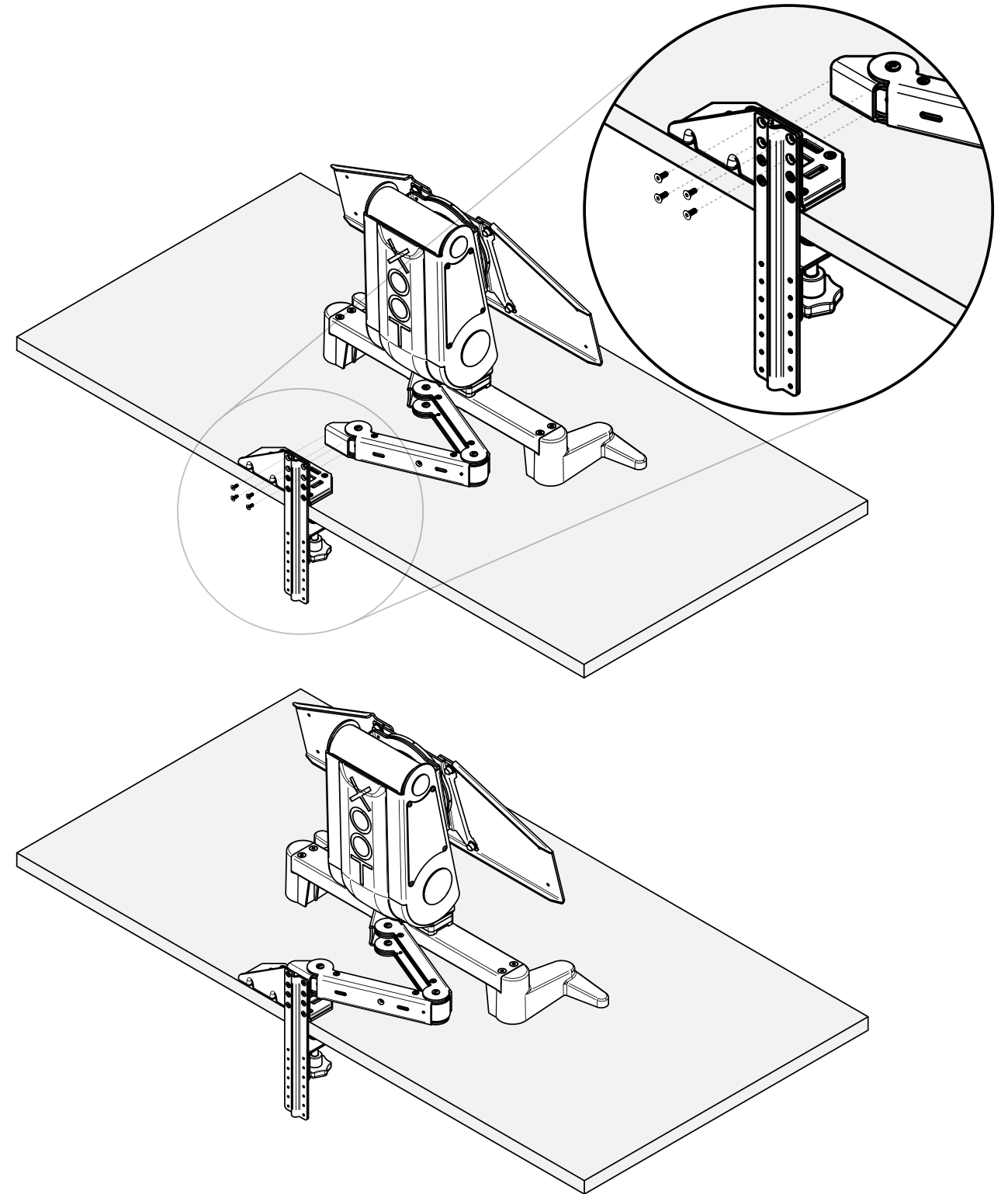
E Attaching the Legs to the Main Arm



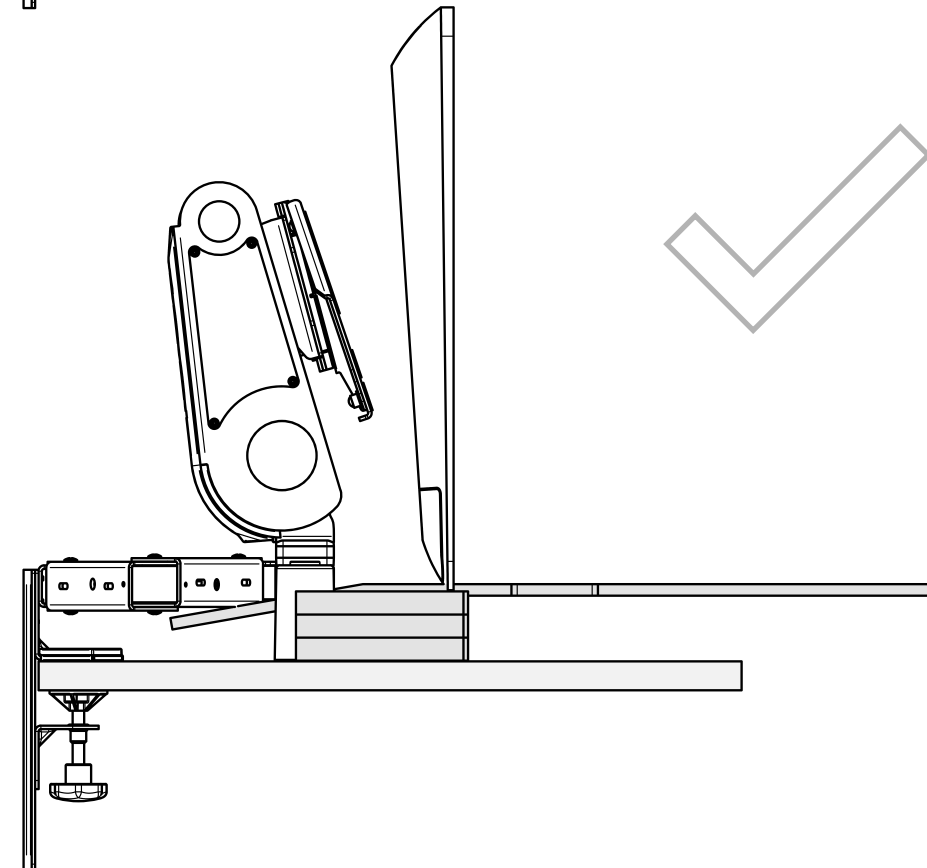
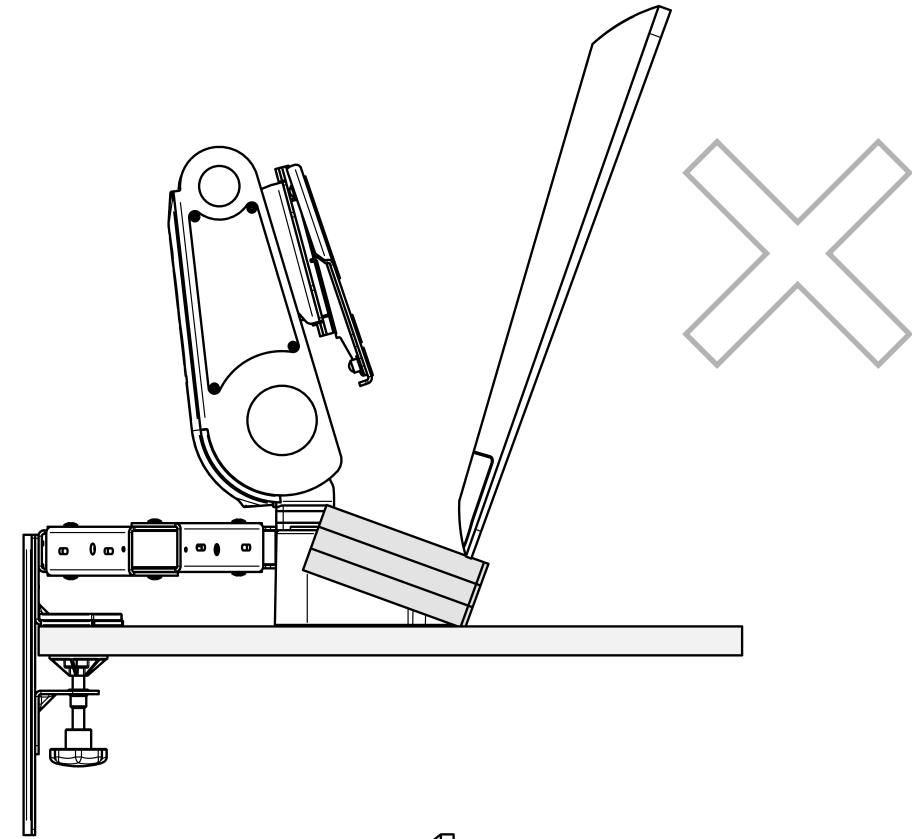
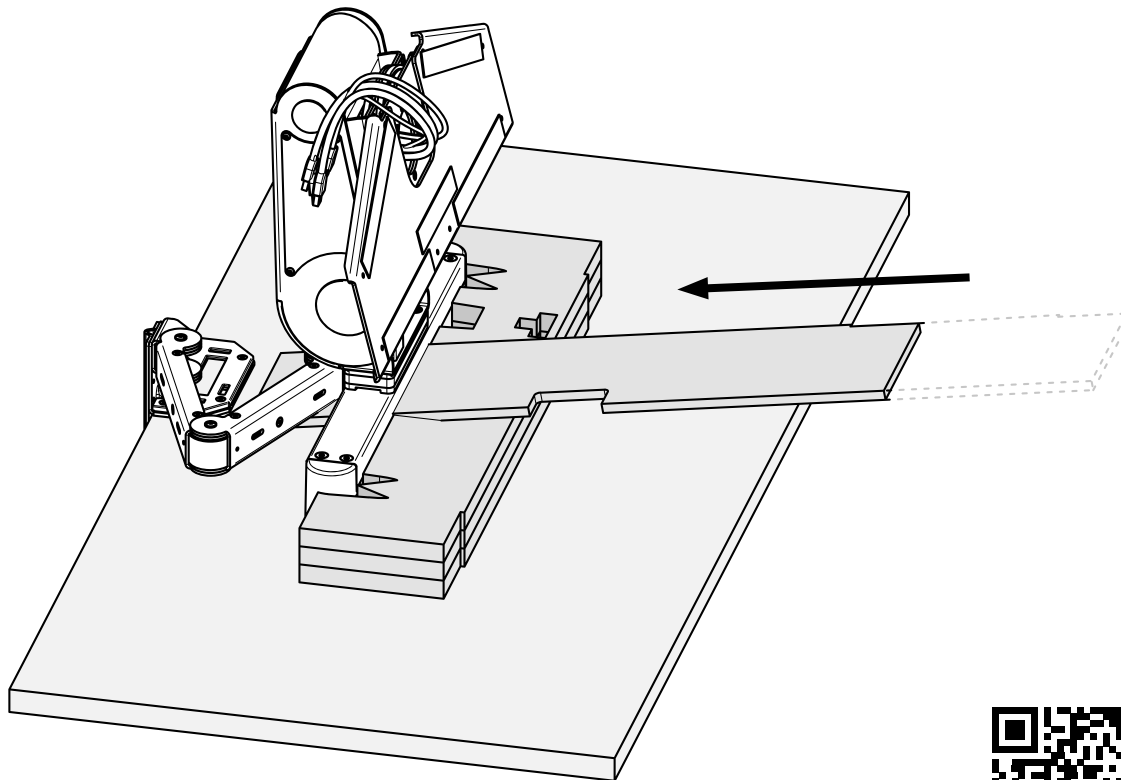
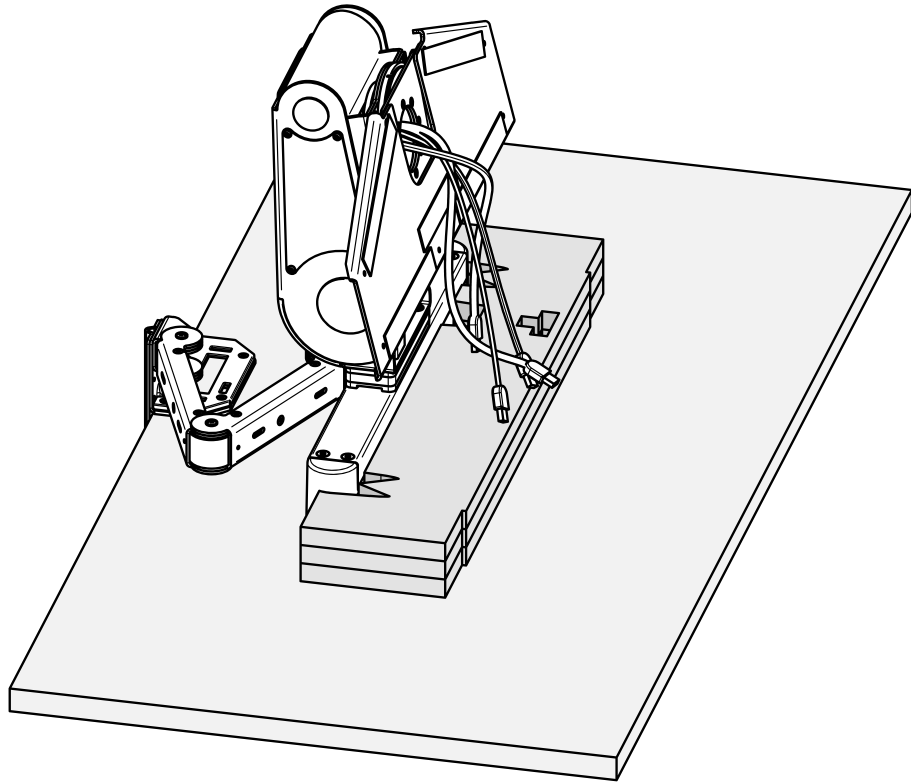
E Attaching the Legs to the Main Arm



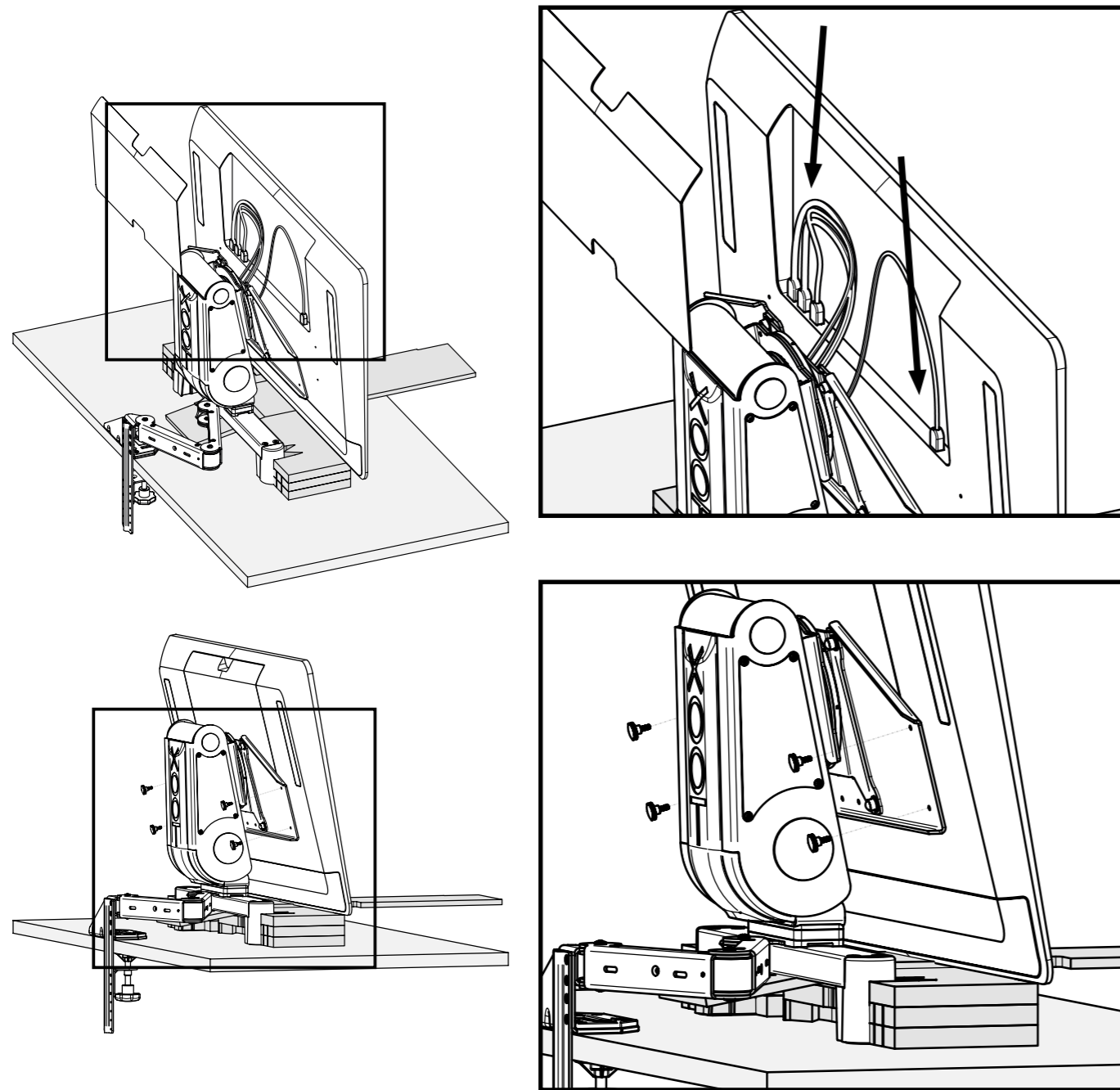
F Attaching the Legs to the Clamp



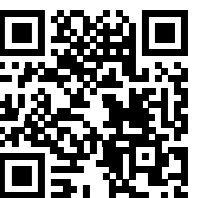
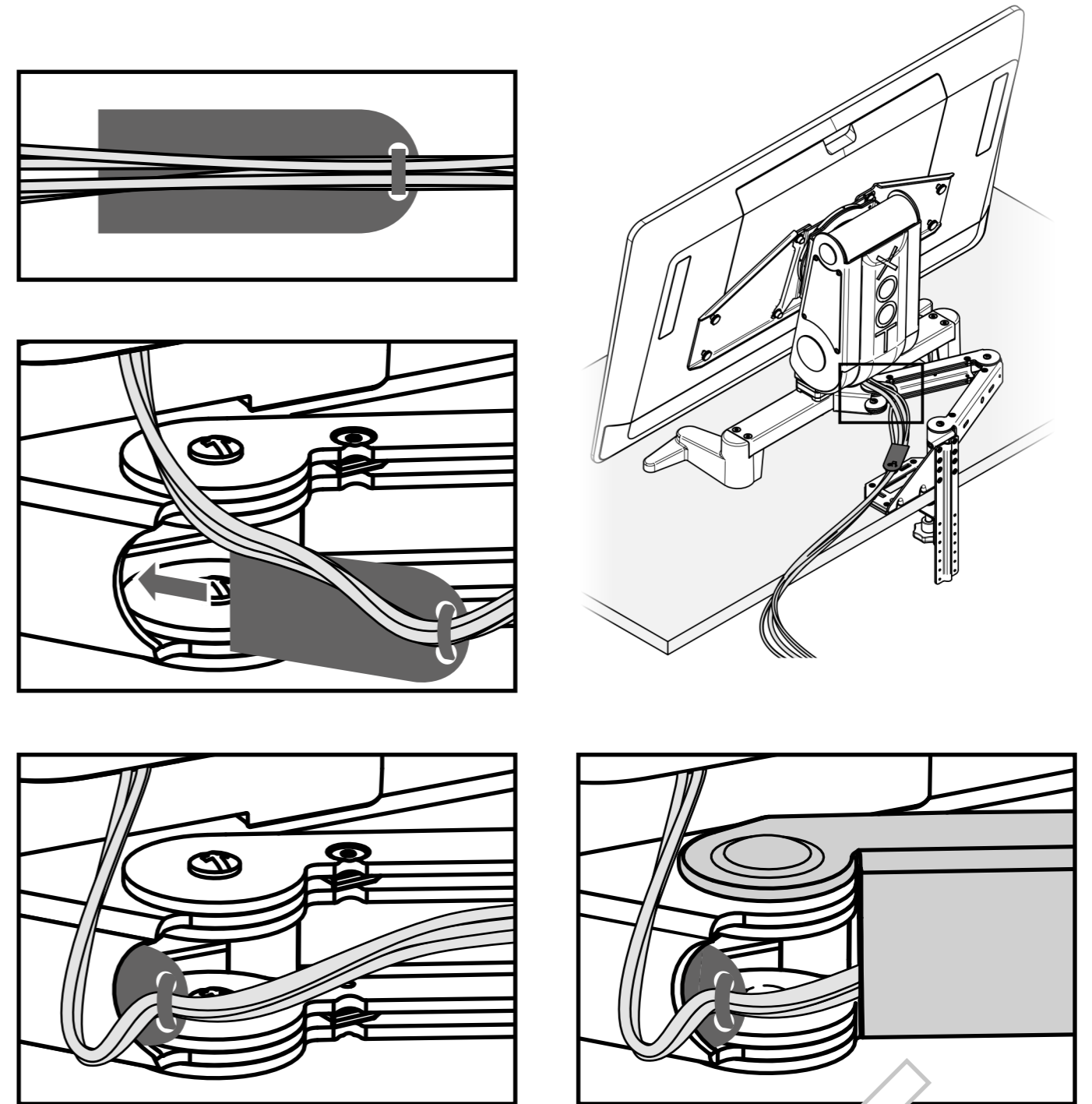
G Attaching the Screen to your XOOT System



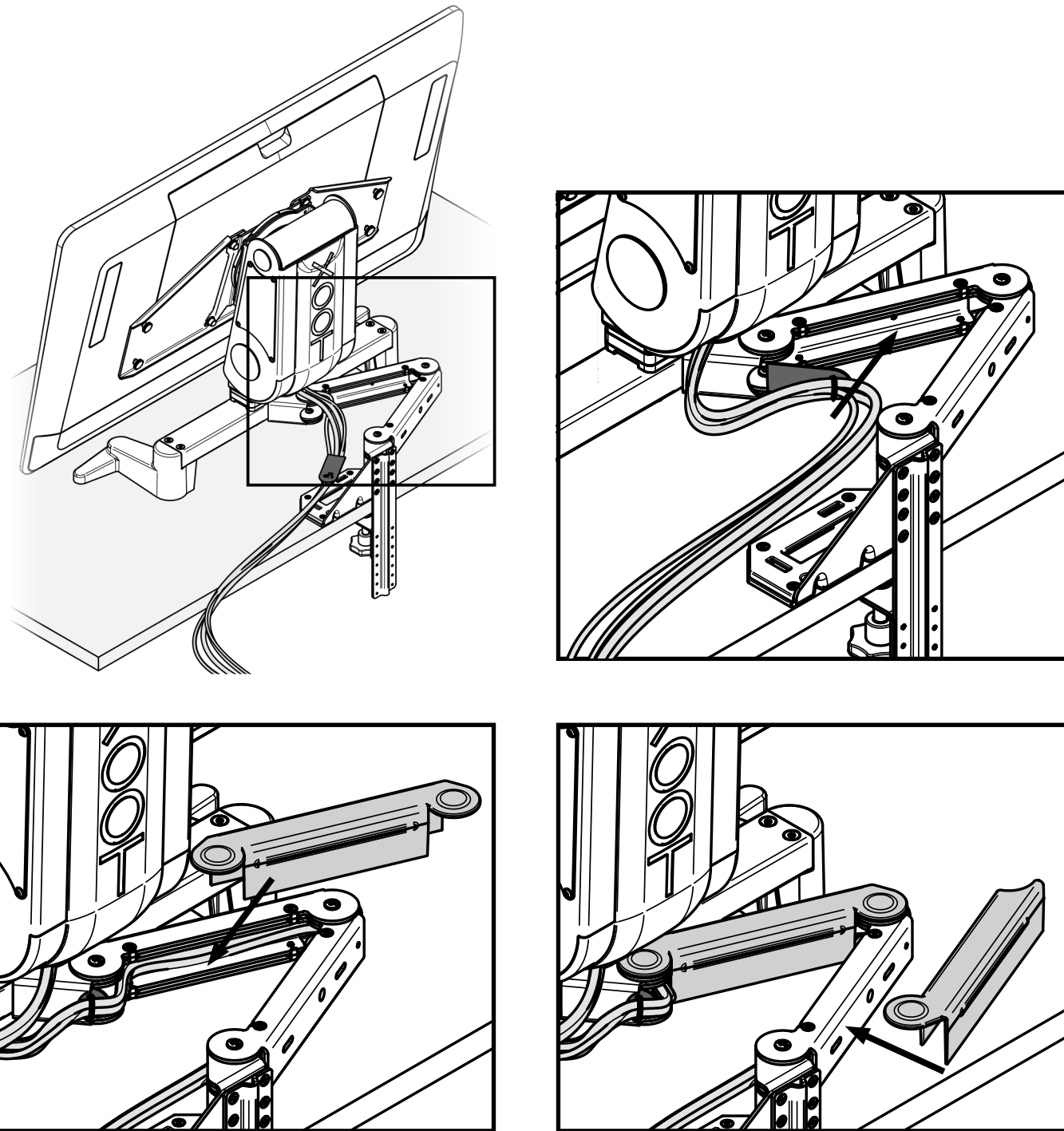
G Attaching the Screen to your XOOT System



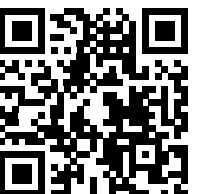
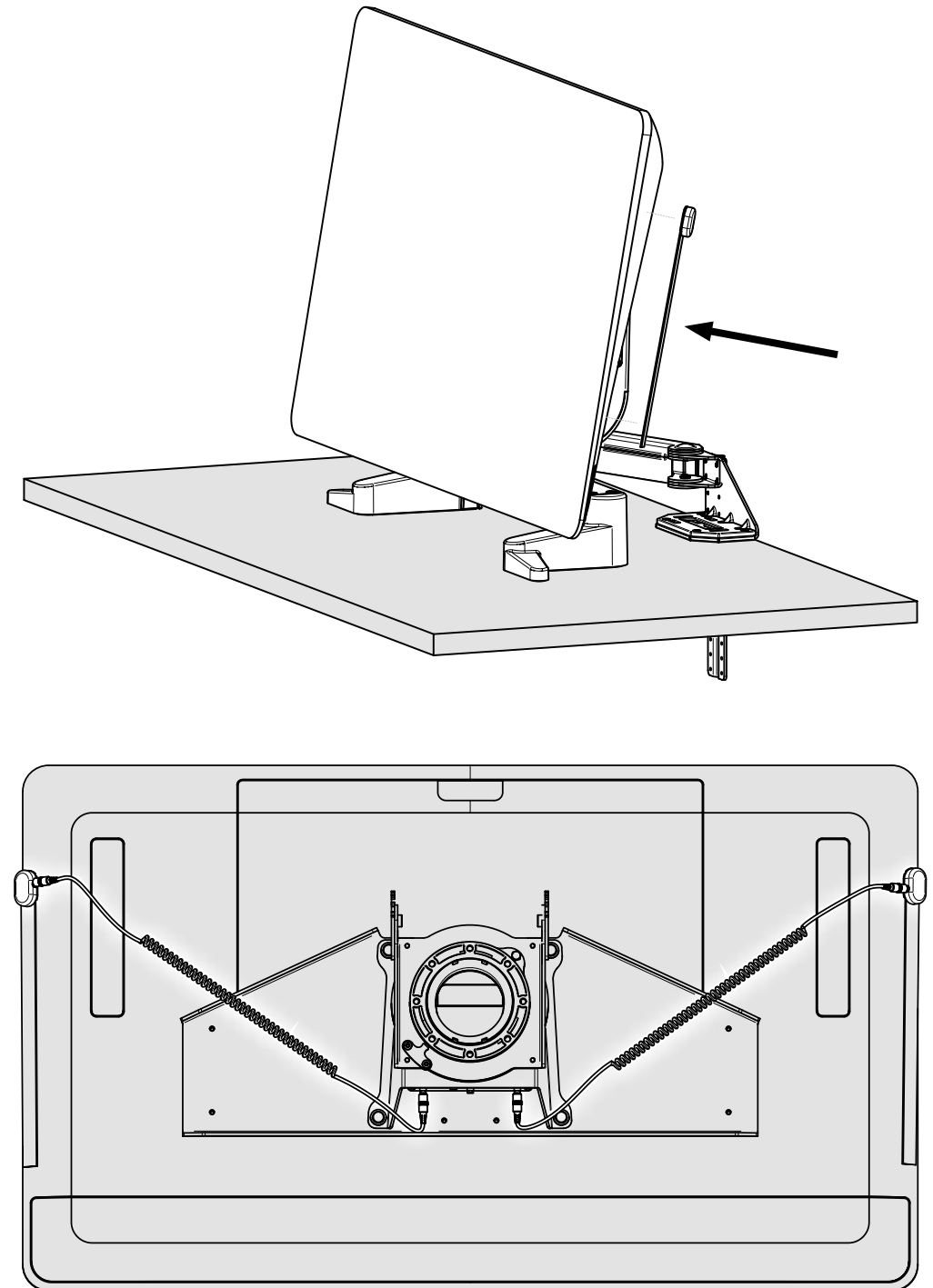
H Stowing cables and attaching covers to the Anti-Topple Arm



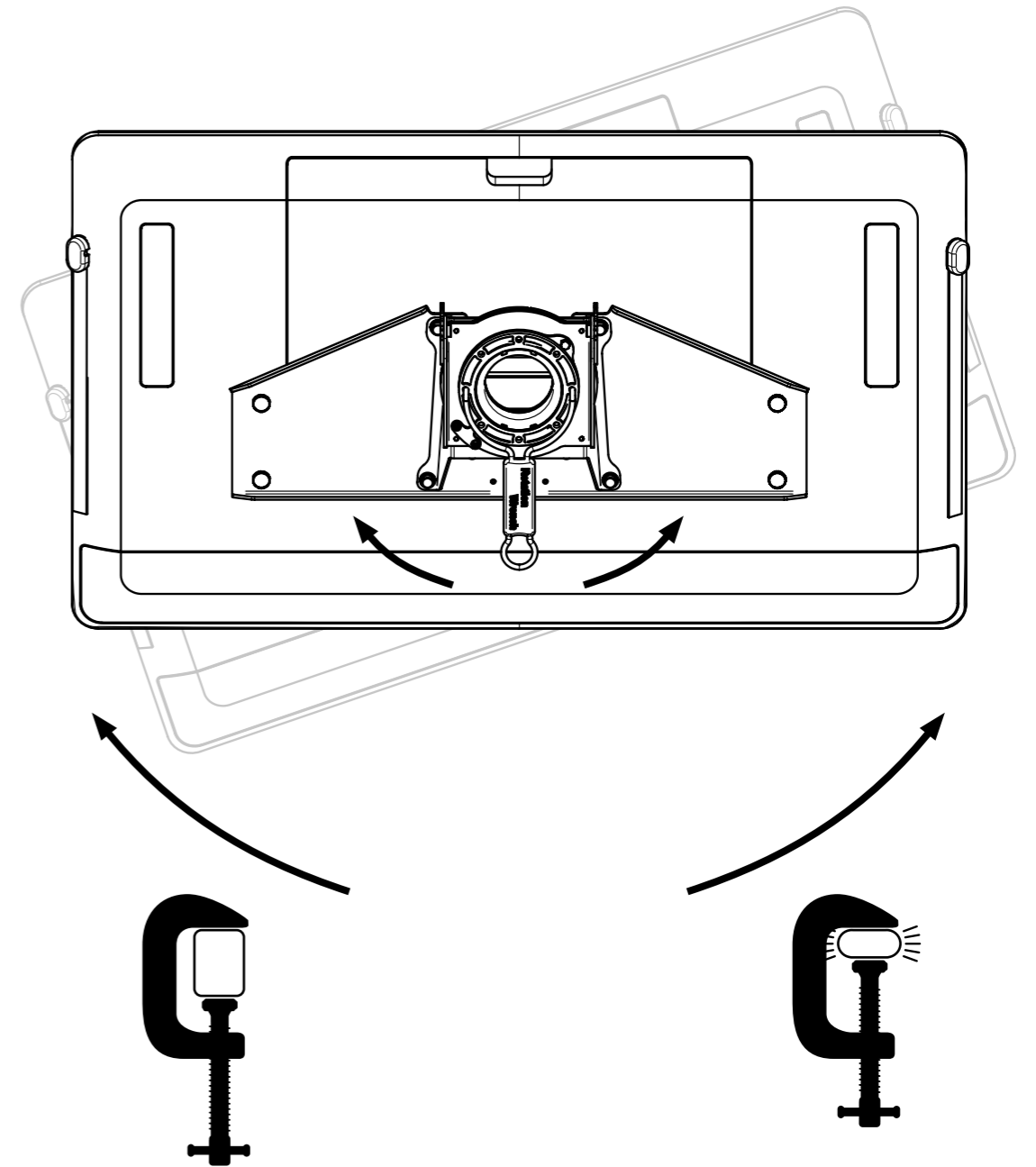
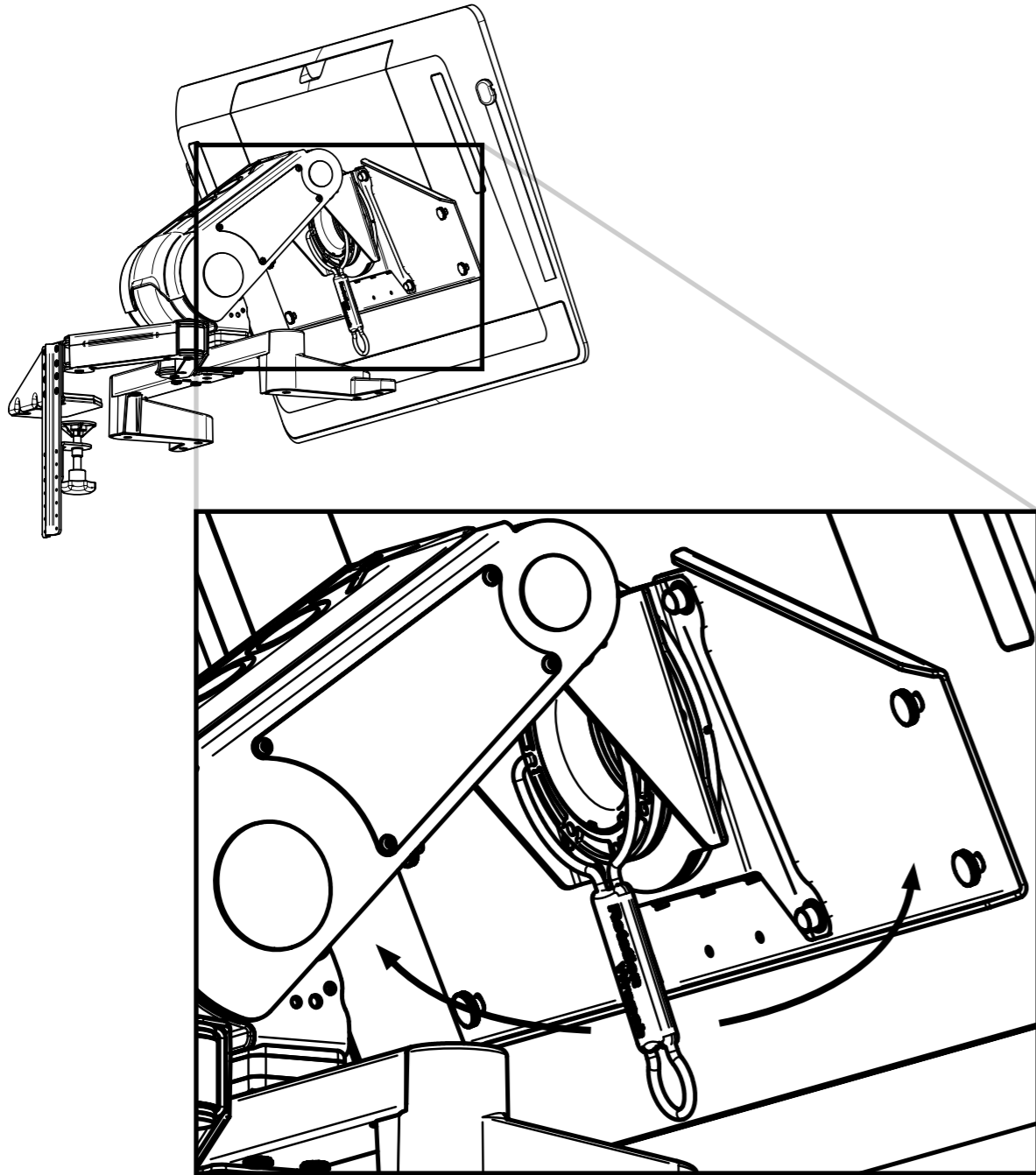
H Stowing cables and attaching covers to the Anti-Topple Arm



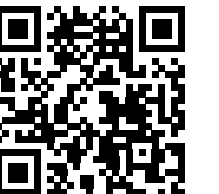
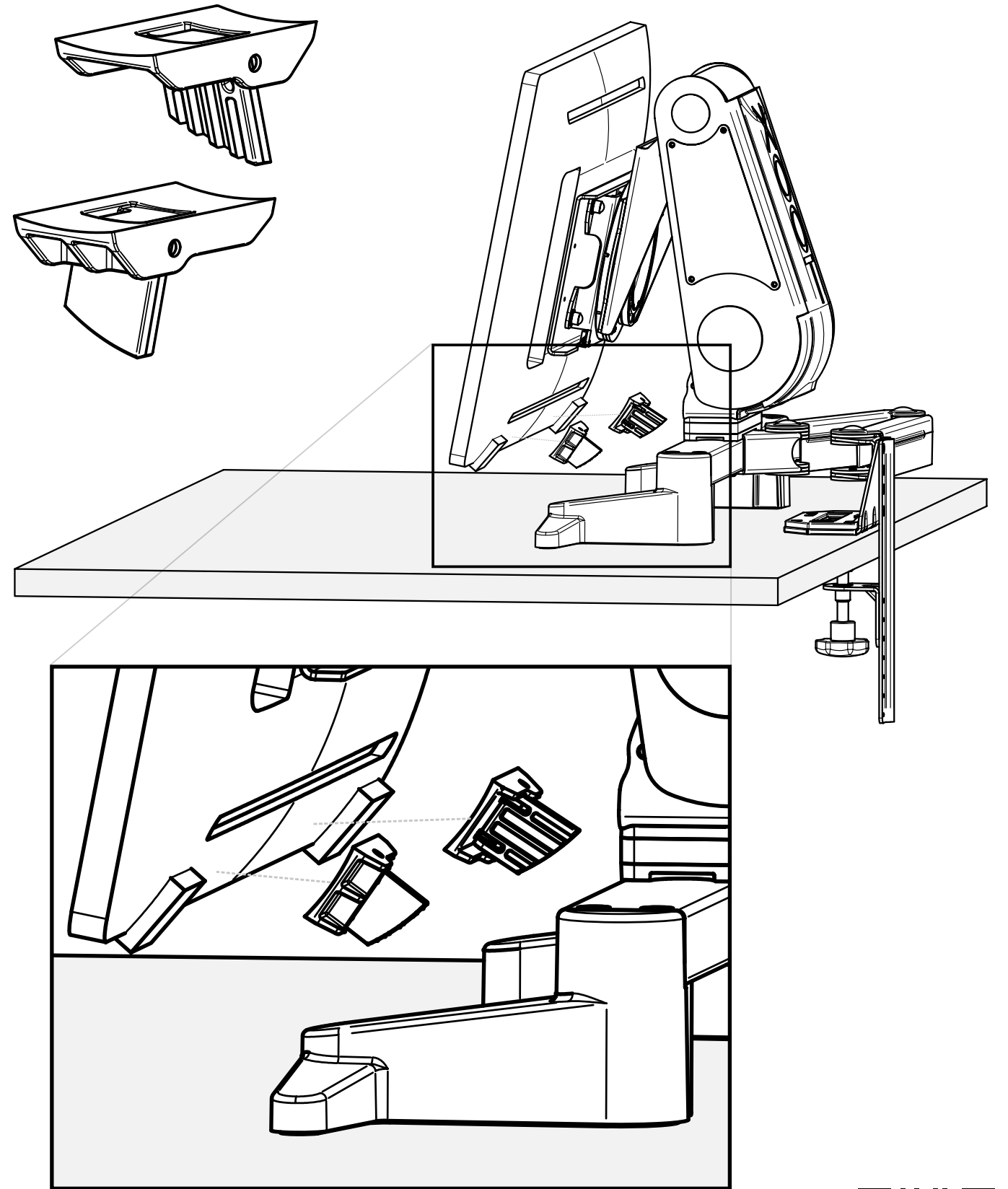
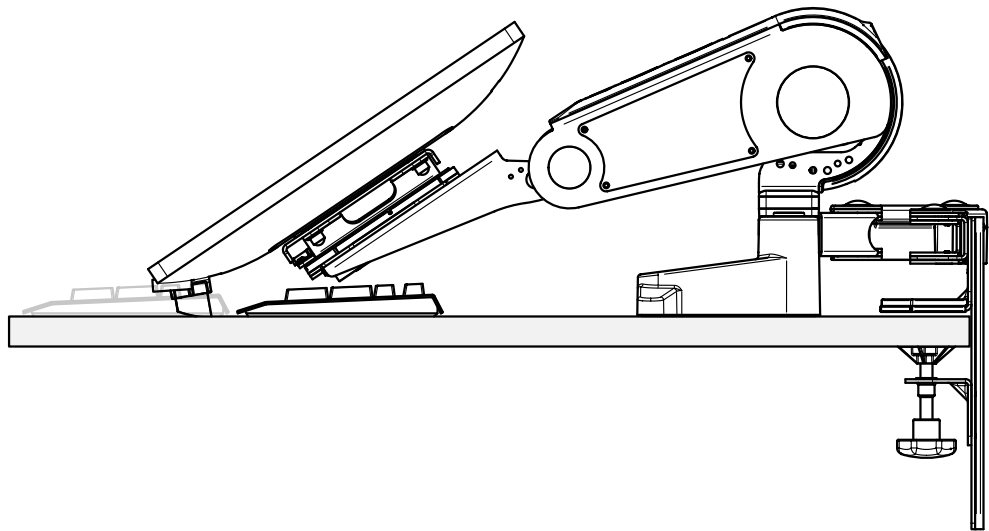
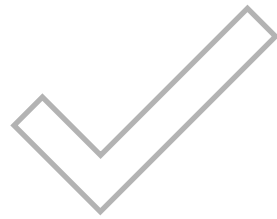
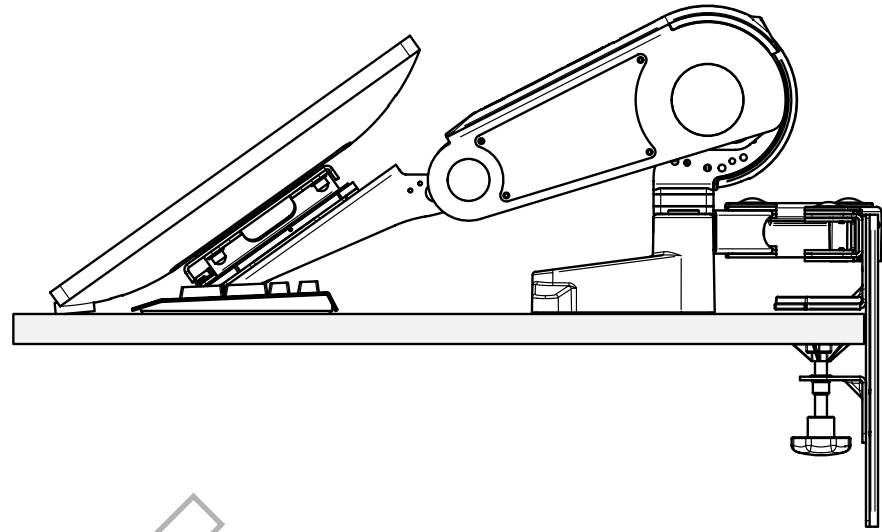
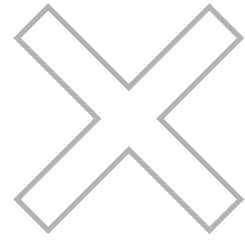
I Attaching the Touch Strips to your Screen



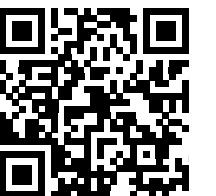
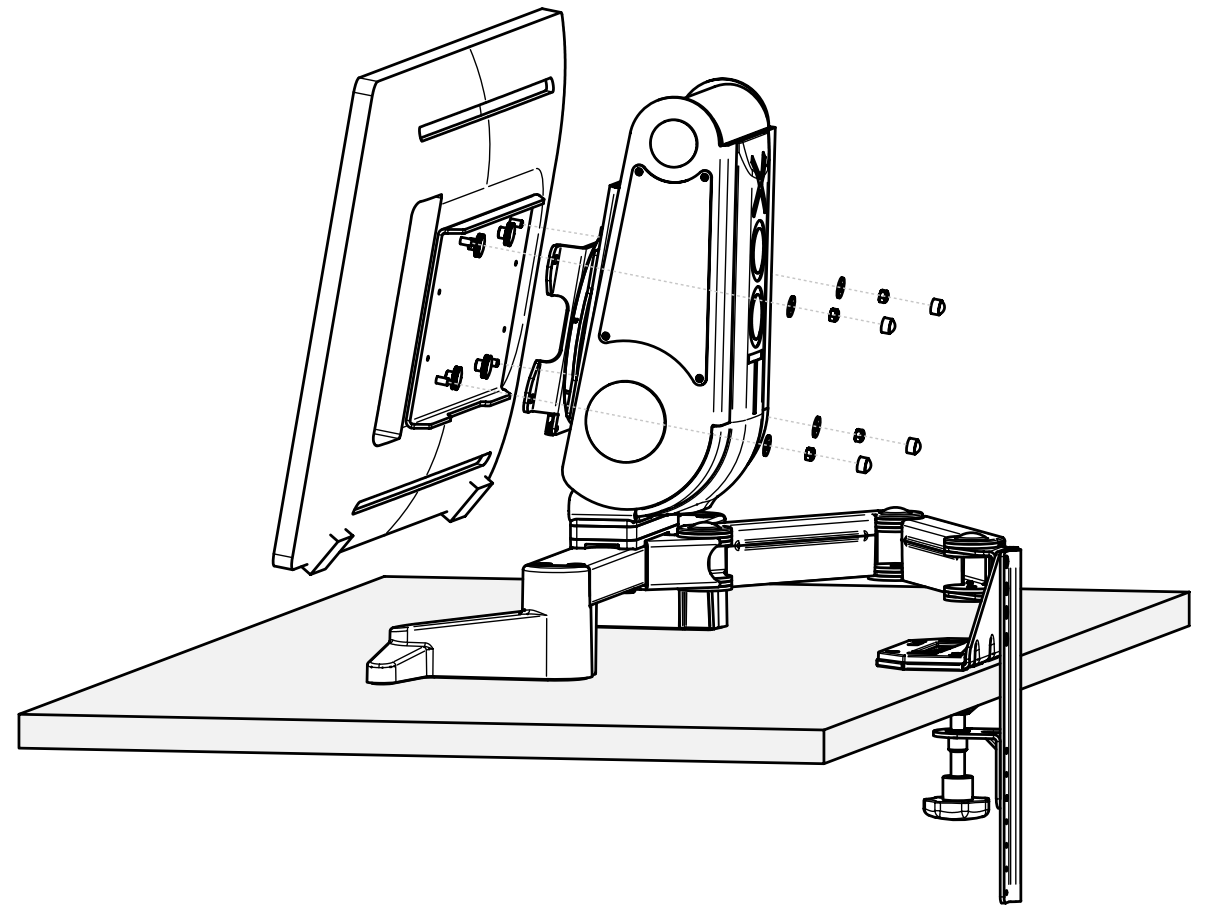
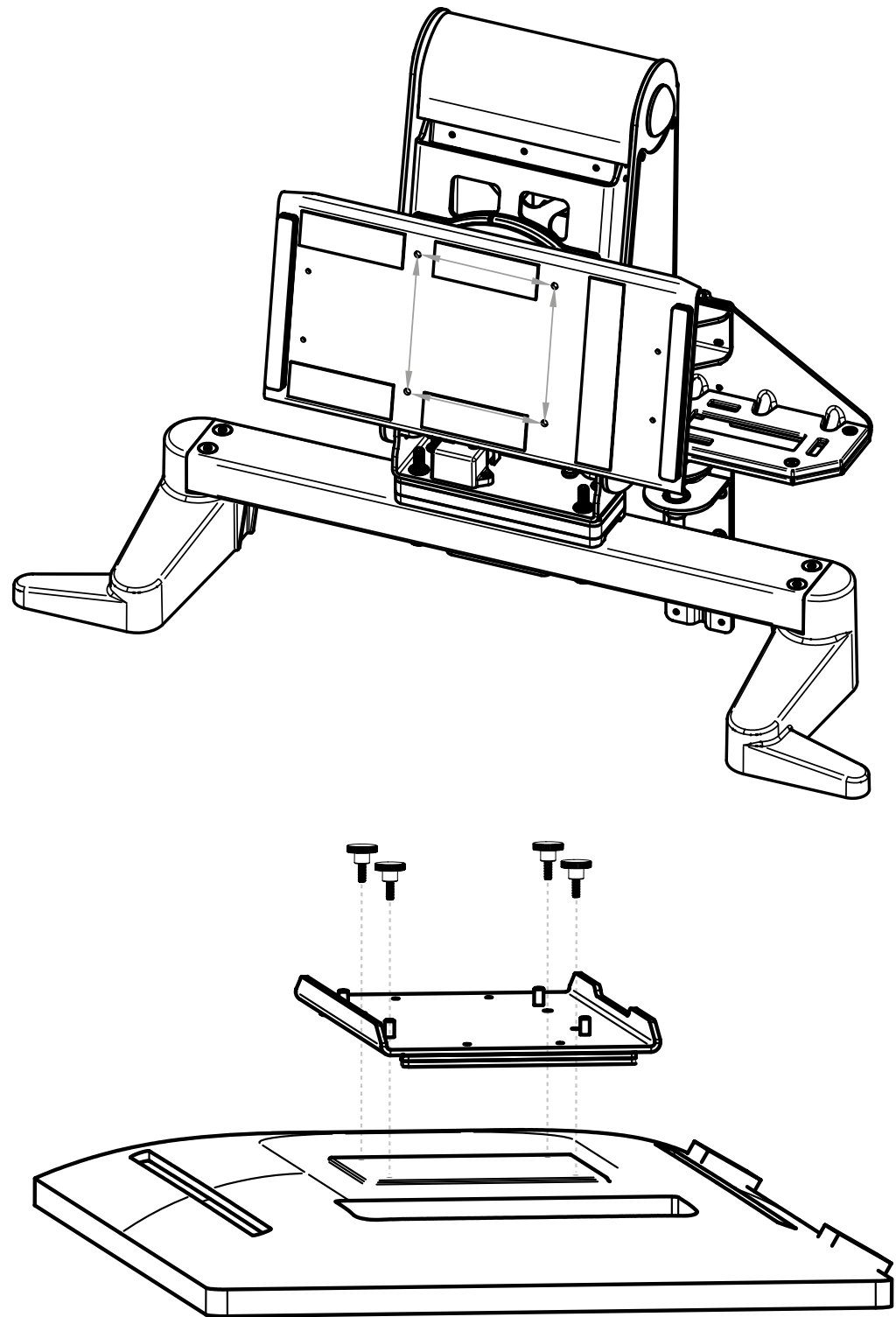
J Adjusting the Rotation Friction



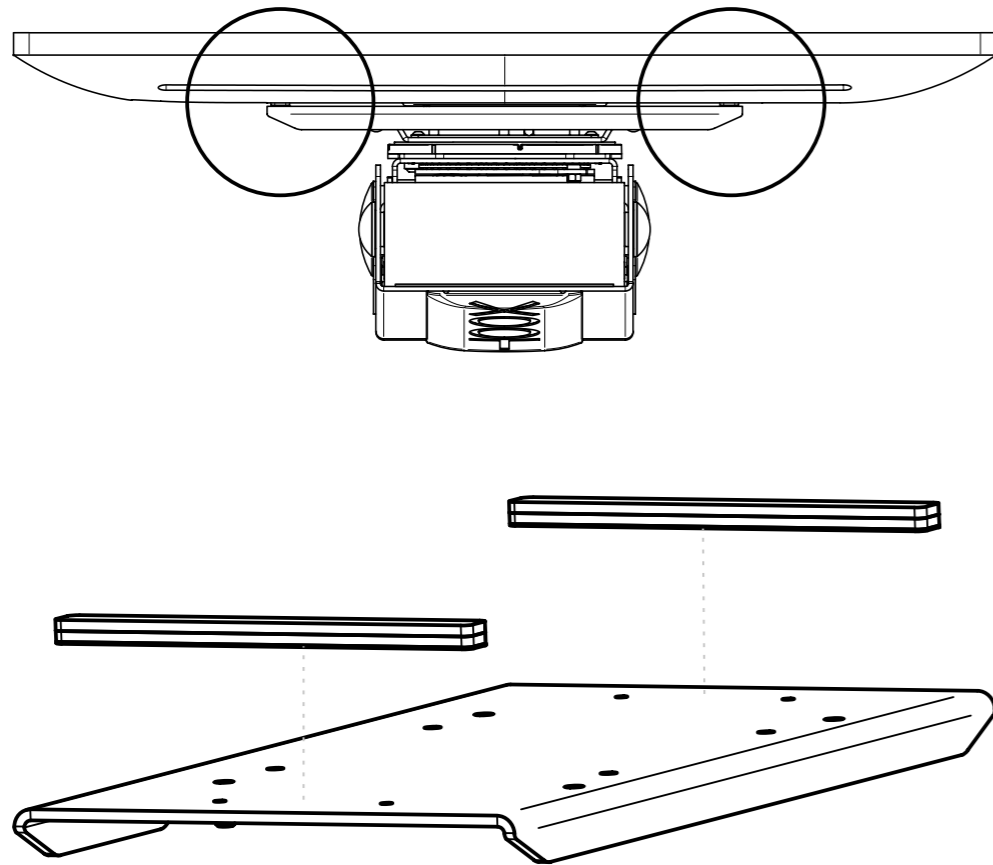
K Attaching the Folding Feet to Screen *(Optional)*



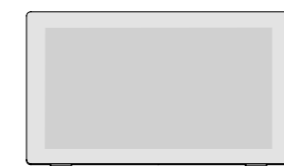
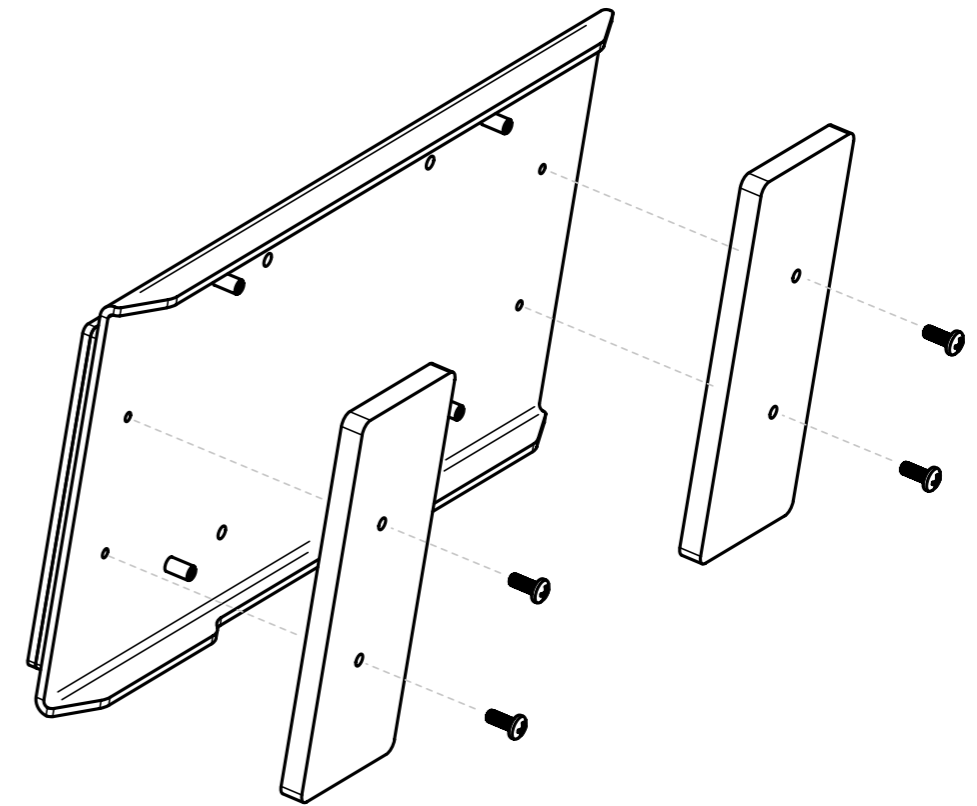
L Attaching the screen to an MT11 Kit



M Attaching Pre-Stress pads to an MT11 Kit *(Optional)*



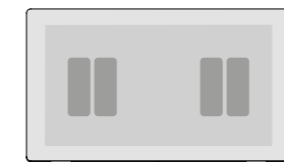
N Attaching weights to your XOOT Kit *(Optional)*



7-5kg (15-11lb) = 0kg



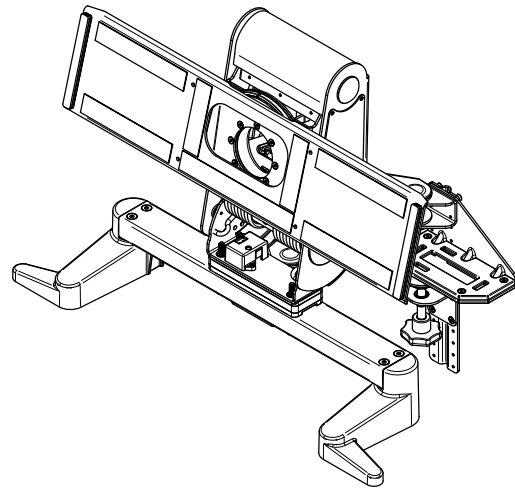
6-4kg (13-9lb) = 1 x MT11-W



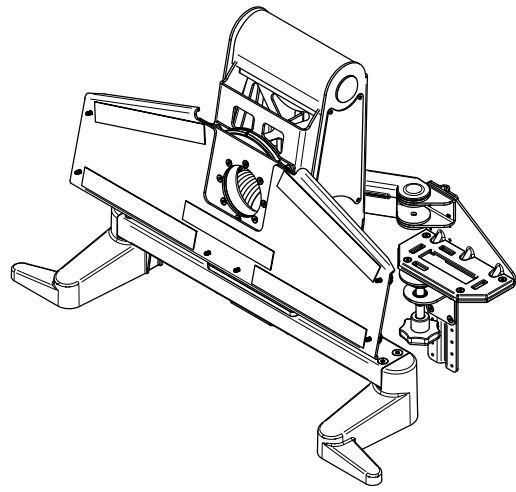
5-3kg (11-6.5lb) = 2 x MT11-W



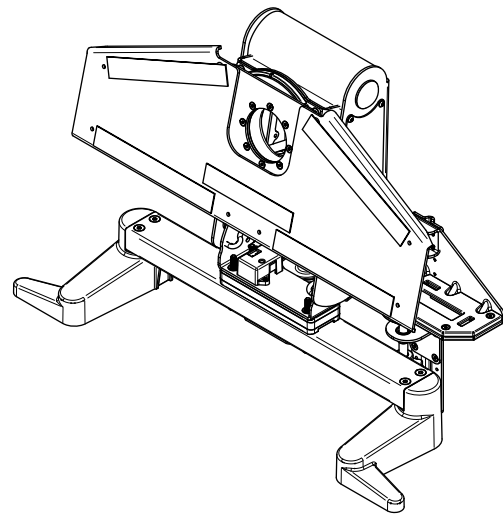
0 XOOT Kits Currently Available



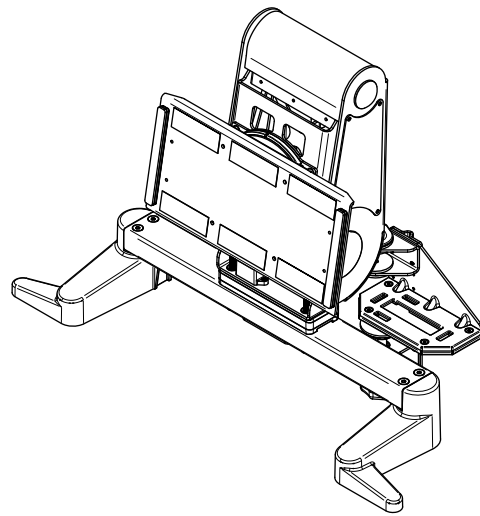
XOOT Kit C27



XOOT Kit CP24



XOOT Kit C32



XOOT Kit MT11

X
O
O

X O O T

O

O

T

XOOT Inc.

12311 SE 23rd Street
Bellevue WA 98005, USA
tel. 001345 678 9123
info@xoot.pro | xoot.pro